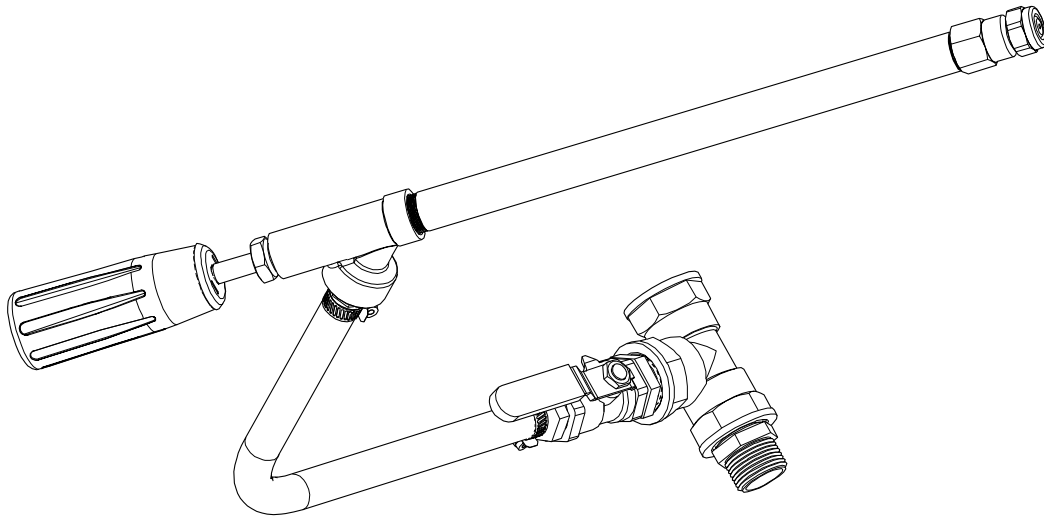


# OWNER'S MANUAL

## Handgun Kit

Model: BB-302 (5300198)



### General Information

Thank you for purchasing this product. The purpose of this manual is to assist you in operating and maintaining your spray gun kit.

**BEFORE RETURNING THIS PRODUCT  
FOR ANY REASON, PLEASE CALL**

**1-800-831-0027**

MONDAY-FRIDAY, 8:00 AM TO 5:00 PM CST

If you should have a question or experience a problem with your Fimco Industries Product: Visit our website @ [www.fimcoindustries.com](http://www.fimcoindustries.com) or call the Toll free number above. Our technical support representatives will be happy to help you.

In most cases a customer service rep. can resolve the problem over the phone.

To obtain prompt, efficient service, always remember to give the following information....

- Correct Part Description and/or part number
- Model number and Serial Number

Part descriptions and numbers can be obtained from the illustrated parts list section(s) of this manual.

**Retain a copy of your receipt for your unit, as it will be required to validate any warranty service.**

**Warranted against manufacturer or workmanship defects from date of purchase with copy of receipt:**

**Homeowner Usage: One Year**

**Commercial Usage: 90 Days.**



**WARNING:** To reduce the risk of injury, the user must read and understand the operator's manual before using this product.



**WARNING:** Cancer and Reproductive Harm.  
[www.P65Warnings.ca.gov](http://www.P65Warnings.ca.gov)



[www.fimcoindustries.com](http://www.fimcoindustries.com)

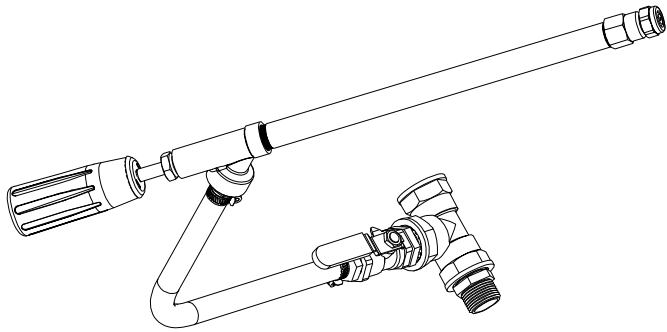
1000 FIMCO Lane, P.O. Box 1700, North Sioux City, SD 57049  
Toll Free Phone: 800-831-0027 : Toll Free Fax: 800-494-0440

[5004280

(11/22)]

## Contents

Technical Specifications .....	2	Exploded Parts View and Parts List .....	3
Assembly Instructions .....	2	AA18-AL6 Exploded View/Parts List .....	3
Testing and Handgun Operation .....	2	Warranty .....	4



## Handgun Kit

BB-302 (5300198)

Useful for spot, tree and livestock spraying as well as power washing at pressures from 30 to 800 PSI.

Operated by handle rotation 360° from shutoff to maximum flow position.

Spray tips are interchangeable orifice discs made of corrosion and erosion-resistant hardened stainless steel.

### ~~~~~IMPORTANT~~~~~

It is VERY important for you to test your sprayer, after attaching a hand sprayer, with plain water before actual spraying is attempted. This will enable you to check the sprayer for leaks without possibility of losing any expensive chemicals.

### ~~~~~WARNING~~~~~



**Read and Understand** the Owner's Manual completely before using. Assemble, test and use in accordance to manual instructions.

**Read and Follow** chemical label instructions and wear protective gear when filling, using, cleaning and servicing the sprayer.

**Never Point Spray Gun** at people or animals.

**Relieve System Pressure** before leaving sprayer unattended.

**Exercise Caution** in vehicle handling when towing/hauling a filled sprayer to avoid loss of control or overturning.

**Keep Sprayer and Spray materials** away from other people, children and pets.

**Do Not Turn on Power** to the sprayer, until ready to spray in order to avoid unintentional spray release.

**Keep all parts** in good condition and properly installed. Fix damaged or worn parts immediately.

**Improper use of this sprayer or handling of chemicals could result in serious injury or illness, or could cause damage to the environment.**

### Assembly Instructions

Assemble the fittings to the appropriate model sprayer. Be sure to use a good grade of thread sealant or plumber's Teflon tape when assembling the fittings to the plumbing assembly.

### Testing The Sprayer

It is best to test the completed handgun sprayer with plain water before actually spraying chemicals. This will enable you to determine if the assembled unit has any plumbing leaks. It is best to start your handgun sprayer under little or no pressure. After starting the sprayer at low pressure, it is best to increase pressure in steps to the desired operating pressure. Conditions of weather and terrain must be considered when setting the sprayer. Do not spray on windy days. Protective clothing must be worn in some cases.

### Handgun Operation

Twisting the handle allows the handgun to spray. The adjustable handle may be rotated to get a desired spray pattern. It is adjustable from a cone pattern to a straight stream pattern.

When spraying with the handgun, pressure may be reduced by slowly opening your bypass valve until desired pressure is achieved. Opening the valve decreases pressure, closing the valve increases pressure.

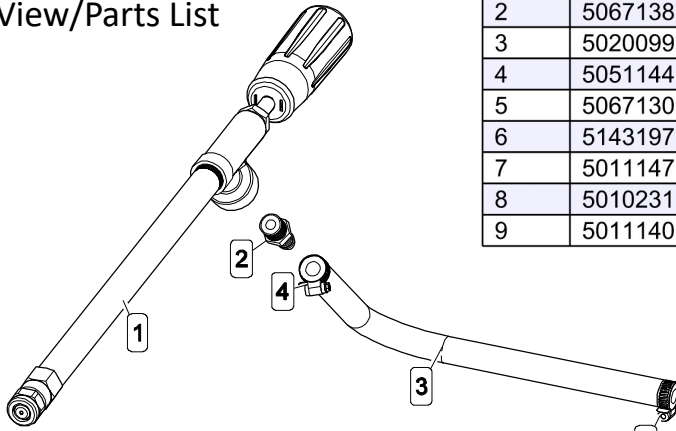
**WARNING:** Some chemicals will damage the plumbing components if allowed to soak untreated for a length of time!  
ALWAYS flush the system after each use.

If handgun nozzle needs cleaning, remove from the handgun and soak in warm soapy water. Clean with a soft bristled brush or toothpick if necessary. Never use a metal object. Even the slightest damage can change the flow rate and spray distribution. Water rinse and dry the tips before storing.

Proper care and maintenance will prolong the life of your sprayer. Follow your sprayer's maintenance and winter storage instructions.

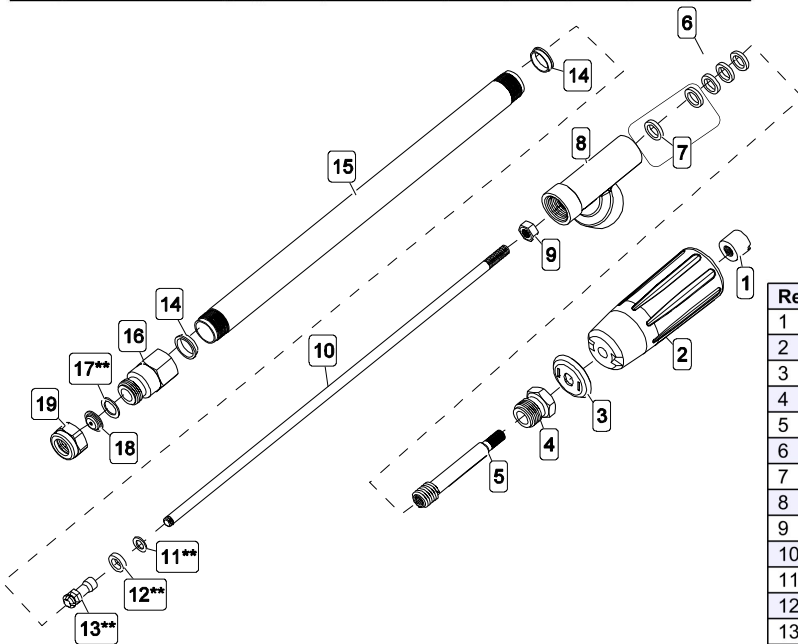
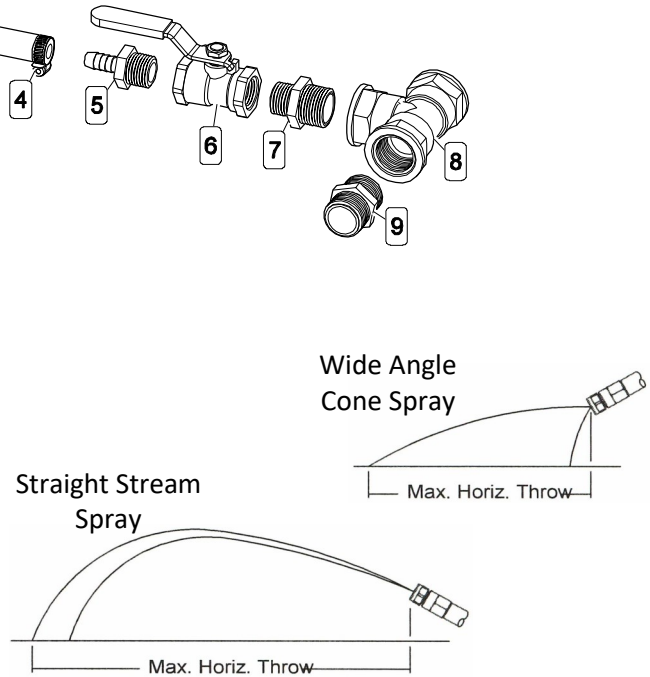
# Handgun Kit: 'BB-302' (5300198)

## Exploded View/Parts List



Ref. #	Part #	Description	Qty
1	5163021	Gunjet Spray Gun	1
2	5067138	Poly Fitting, 1/4" MNPT x 3/8" HB	1
3	5020099	Hose, 3/8"-2 Brd. x 25 Ft.	1
4	5051144	Hose Clamp, 3/8"	2
5	5067130	Poly Fitting, 1/2" MNPT x 3/8" HB	1
6	5143197	1/2" T-800 Brass Ball Valve	1
7	5011147	Poly Reducing Nipple, 3/4" MNPT x 1/2" MNPT	1
8	5010231	Poly Tee, 3/4" FNPT	1
9	5011140	Poly Close Nipple, 3/4" MNPT	1

Tip No.	Data	Liquid Pressure in Lbs. Per Square Inch (PSI)							
		40 PSI		100 PSI		200 PSI		300 PSI	
		Setting "A"	Setting "C"	Setting "A"	Setting "C"	Setting "A"	Setting "C"	Setting "A"	Setting "C"
D-2	Capacity GPM	.29	.30	.45	.47	.64	.66	.78	.81
	Spray Angle	20°	--	45°	--	20°	--	19°	--
	Max. Throw (Ft.)	10	32	10	33	10	34	10.5	35
	Max. Vert. Throw (Ft.)	--	22	--	22	--	23	--	23
D-4	Capacity GPM	.60	.61	.92	.94	1.3	1.3	1.6	1.6
	Spray Angle	22°	--	26°	--	24°	--	20°	--
	Max. Throw (Ft.)	10	36	10	36	10.5	37	10.5	38
	Max. Vert. Throw (Ft.)	--	26	--	27	--	28	--	29
D-6	Capacity GPM	1.2	1.3	1.9	2.0	2.7	2.9	3.3	3.5
	Spray Angle	38°	--	41°	--	38°	--	35°	--
	Max. Throw (Ft.)	10	44	10	45	10.5	46	11	47
	Max. Vert. Throw (Ft.)	--	28	--	30	--	32	--	33
D-8	Capacity GPM	2.0	2.2	3.1	3.4	4.4	4.8	5.3	5.9
	Spray Angle	48°	--	50°	--	48°	--	43°	--
	Max. Throw (Ft.)	10	45	10	46	10.5	47	11	48
	Max. Vert. Throw (Ft.)	--	29	--	32	--	35	--	36



## Exploded View/Parts List: Handgun: AA18-AL6 (Fimco# 5163021)

Ref. #	Part #	MFG Part #	Description	Qty
1	♦♦	CP5813-AL	Hand Grip Nut, Aluminum	1
2	5078112	CP5994-NY	Handle Grip (Nylon)	1
3	♦♦	CP5884-INP	Hand Grip Collar, Steel - NP	1
4	♦♦	CP5811-AL	Packing Screw, Aluminum	1
5	♦♦	CP5882-NP	Hand Grip Stud, Brass - NP	1
6	5097031	CP5809-LEA	Packing (Leather)	4
7	5016069	CP5883-AL	Packing Washer, Aluminum	1
8	5002378	CP6896-AL	Inlet Body (1/4" FPT), Aluminum	1
9	5006192	CP6618-AL	Nut, Aluminum (12AL)	1
10	5132051	CP5879-AL	Stem, Aluminum	1
11**		CP7709-302SS	#10 Washer (S.S.)	1
12**		CP5798-NY	Seat Plate, Nylon	1
13**		10516-AL	Core Body	1
14	5072285	CP4143-CU	Gasket	2
15	♦♦	CP-5878-AL	Tubing, Aluminum	1
16	5084050	CP5869-AL	Spray Housing, Aluminum	1
17**		CP5871-BU	Tip Gasket, Buna-N	1
18	5063071	D6	Orifice Disc, SS (D6)	1
19	5046033	CP1325-AL	Cap, Aluminum	1

\*\* : Available in Spare Parts Kit ONLY #5168187  
(#PK-AB143-AL-KIT)

♦♦ : Only Available in Complete Handgun Assembly

Note: D6 Disc Standard—Others Optional

## Warranty Info

### LIMITED WARRANTY FOR NEW FIMCO, IND. EQUIPMENT

**WHO MAY USE THIS LIMITED WARRANTY.** This limited warranty (the "Limited Warranty") is provided by Fimco, Ind. to the original purchaser ("you") of the Equipment (as defined below) from Fimco, Ind. or one of Fimco, Ind.'s authorized dealers. This Limited Warranty does not apply to any subsequent owner or other transferee of the Equipment. THIS LIMITED WARRANTY GIVES YOU SPECIFIC LEGAL RIGHTS, AND YOU MAY ALSO HAVE OTHER RIGHTS WHICH VARY FROM STATE TO STATE.

**WHAT THIS LIMITED WARRANTY COVERS AND FOR HOW LONG.** Fimco, Ind. warrants that any new Equipment will be free from defects in material and workmanship for a period of **one (1) year** (homeowner), **90 days** (commercial user), after delivery of the Equipment to you (the "Warranty Period"). The Warranty Period is not extended if Fimco, Ind. repairs or replaces the Equipment.

**WHAT IS NOT COVERED BY THIS LIMITED WARRANTY.** This Limited Warranty does not apply to: (1) used Equipment; (2) any Equipment that has been altered, changed, repaired or treated since its delivery to you, other than by Fimco, Ind. or its authorized dealers; (3) damage or depreciation due to normal wear and tear; (4) defects or damage due to failure to follow Fimco, Ind.'s operator's manual, specifications or other written instructions, or improper storage, operation, maintenance, application or installation of parts; (5) defects or damage due to misuse, accident or neglect, "acts of God" or other events beyond Fimco, Ind.'s reasonable control; (6) accessories, attachments, tools or parts that were not manufactured by Fimco, Ind., whether or not sold or operated with the Equipment; or (7) rubber parts, such as tires, hoses and grommets.

**HOW TO OBTAIN WARRANTY SERVICE.** To obtain warranty service under this Limited Warranty, you must (1) provide written notice to Fimco, Ind. of the defect during the Warranty Period and within **thirty (30)** days after the defect becomes apparent or the repair becomes necessary, at the following address: Fimco, Ind., 1000 Fimco Lane, North Sioux City, SD 57049; and (2) make the Equipment available to Fimco, Ind. or an authorized dealer within a reasonable period of time. For more information about this Limited Warranty, please call: **800-831-0027**.

**WHAT REMEDIES ARE AVAILABLE UNDER THIS LIMITED WARRANTY.** If the conditions set forth above are fulfilled and the Equipment or any part thereof is found to be defective, Fimco, Ind. shall, at its own cost, and at its option, either repair or replace the defective Equipment or part. Fimco, Ind. will pay for shipping and handling fees to return the repaired or replacement Equipment or part to you.

**LIMITATION OF IMPLIED WARRANTIES AND OTHER REMEDIES.** THE REMEDIES DESCRIBED ABOVE ARE YOUR SOLE AND EXCLUSIVE REMEDIES, AND FIMCO, IND.'S SOLE LIABILITY, FOR ANY BREACH OF THIS LIMITED WARRANTY. TO THE EXTENT APPLICABLE, ANY IMPLIED WARRANTIES, INCLUDING, WITHOUT LIMITATION, THE IMPLIED WARRANTIES OF MERCHANTABILITY AND FITNESS FOR A PARTICULAR PURPOSE, SHALL BE LIMITED IN DURATION TO THE WARRANTY PERIOD, AND THE REMEDIES AVAILABLE FOR BREACH THEREOF SHALL BE LIMITED TO THE REMEDIES AVAILABLE UNDER THIS EXPRESS LIMITED WARRANTY. SOME STATES DO NOT ALLOW LIMITATIONS ON HOW LONG AN IMPLIED WARRANTY LASTS, SO THE ABOVE LIMITATION MAY NOT APPLY TO YOU. IN NO EVENT SHALL FIMCO, IND.'S LIABILITY UNDER THIS LIMITED WARRANTY EXCEED THE ACTUAL AMOUNT PAID BY YOU FOR THE DEFECTIVE EQUIPMENT, NOR SHALL FIMCO, IND. BE LIABLE, UNDER ANY CIRCUMSTANCES, FOR ANY CONSEQUENTIAL, INCIDENTAL, SPECIAL OR PUNITIVE DAMAGES OR LOSSES, WHETHER DIRECT OR INDIRECT. SOME STATES DO NOT ALLOW THE EXCLUSION OR LIMITATION OF INCIDENTAL OR CONSEQUENTIAL DAMAGES, SO THE ABOVE LIMITATION OR EXCLUSION MAY NOT APPLY TO YOU.