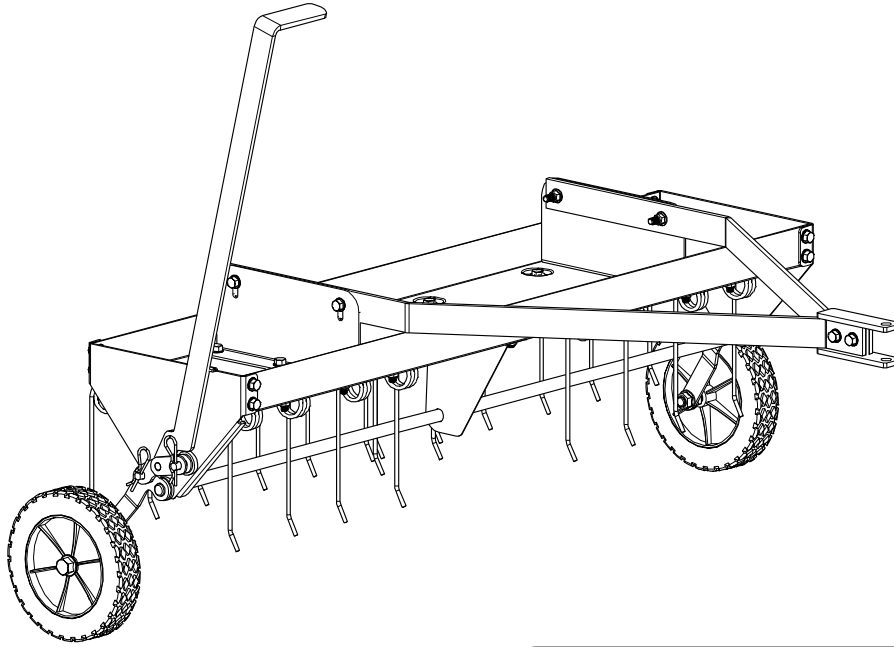


OWNER'S MANUAL

Model: DTH-42 (5301491) (42" Tow-Behind Lawn Dethatcher)



General Information

Thank you for purchasing this product. The purpose of this manual is to assist you in operating and maintaining your dethatcher.

**BEFORE RETURNING THIS PRODUCT
FOR ANY REASON, PLEASE CALL**

1-800-831-0027

MONDAY-FRIDAY, 8:00 AM TO 5:00 PM CST

If you should have a question or experience a problem with your Fimco Industries Product: Visit our website @ www.fimcoindustries.com or call the Toll free number above. Our technical support representatives will be happy to help you. In most cases a customer service rep. can resolve the problem over the phone.

To obtain prompt, efficient service, always remember to give the following information....

- Correct Part Description and/or part number
- Model number and Serial Number

Part descriptions and numbers can be obtained from the illustrated parts list section(s) of this manual.

Retain a copy of your receipt for your unit, as it will be required to validate any warranty service.

Warranted against manufacturer or workmanship defects from date of purchase with copy of receipt:

Homeowner Usage: One Year.

Commercial Usage: 90 Days.



NOTE:

Recommended Speed - 3 - 5 MPH
Maximum Weight - 150 Lbs.
Refer to vehicle's manual for towing instructions.



WARNING: To reduce the risk of injury, the user must read and understand the operator's manual before using this product.



WARNING: Cancer and Reproductive Harm.
www.P65Warnings.ca.gov

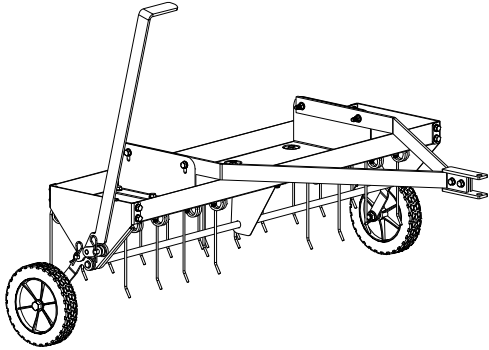


www.fimcoindustries.com

1000 FIMCO Lane, P.O. Box 1700, North Sioux City, SD 57049
Toll Free Phone: 800-831-0027 : Toll Free Fax: 800-494-0440
[5004704 (11/22)]

Contents

Technical Specifications	2	Dimensions.....	4
Dethatcher Information	2	Exploded Parts View and Parts List	5
Assembly	3	Warranty	6
Operation	4		



Model: DTH-42 (5301491) (42" Tow-Behind Lawn Dethatcher)

Technical Specifications:

- Steel Deck
- Holds up to 150 Lbs.
- Durable triple coiled tine rakes
- Height adjustable
- Easy to access transport lever

~~~~~WARNING~~~~~



Read and Understand the Owner's Manual completely before using this attachment. Assemble, test and use in accordance to manual instructions.

Exercise Caution in vehicle handling when using this attachment to avoid loss of control or overturning.

Do Not allow anyone to ride on or sit with you and/or ride or sit on attachment when operating. Failure to comply could result in severe injury or damage.

Keep children, bystanders and pets at a safe distance away while operating this or any attachment.

Do Not exceed 5 MPH. Towing speed should always be slow enough to maintain control.

Avoid holes, rocks and roots.

Do Not cross over walks or drives without first raising the dethatcher to the transport position.

Slow down before you turn and do not turn sharply. Use wide angle turns to ensure attachment follows path of towing vehicle.

Always operate up and down a slope, never across the face of a slope.

Slow down and use extra care on hillsides. Turf conditions can affect vehicle stability.

Keep all movement on slopes slow and gradual. Do not make sudden changes in speed, directions or turning.

Stop on level ground, disengage drives, set the parking brake and shut off engine before leaving the operator's position for any reason, including adjusting the attachment.

Keep all parts in good condition and properly installed. Fix damaged parts immediately.

Do Not modify attachment.

Caution should be taken when towing and/or using any attachment. This attachment combined with the weight distribution, turning radius and speed of towing vehicle can result in severe injury or death, damage to towing vehicle and/or attachment, if not used properly.

Dethatcher Information

Thatch is an accumulated layer of bulb, dead grass, overgrown roots, moss and leaves that have not yet decayed. Which if not removed, effects grass growth since it inhibits the infiltration of water, air and other nutrients. Regular removal of thatch is vital to care and maintenance of a healthy lawn. It allows air, water and fertilizer infiltration and improves grass health. A tow-behind dethatcher is a great asset, as they cover a wide area within a shorter time than other types of dethatchers. It also helps remove areas that harbor pests and diseases.

Your lawn dethatcher has been partially assembled at the factory for your convenience. It has been packaged “inverted” in the box. Remove the parts to the unit from the carton.

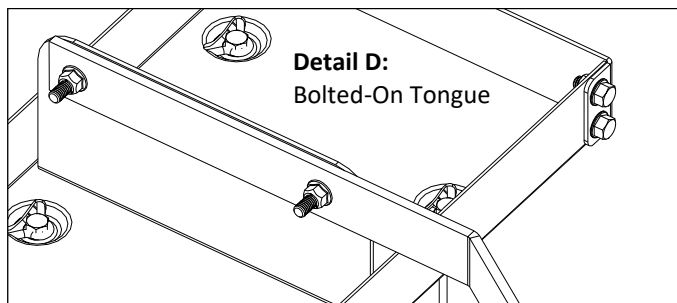
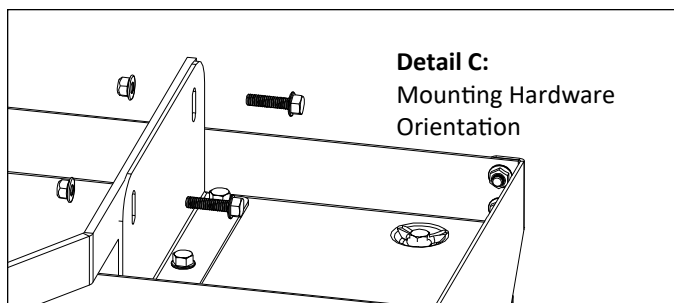
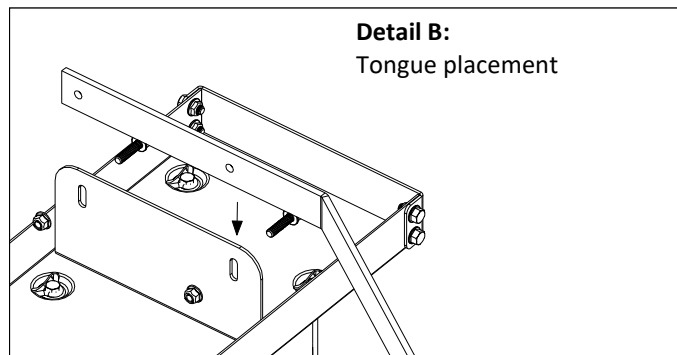
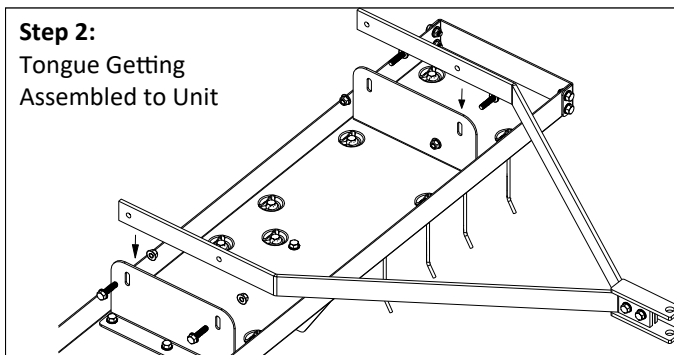
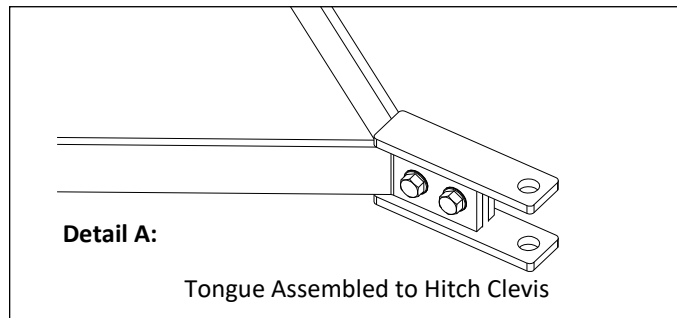
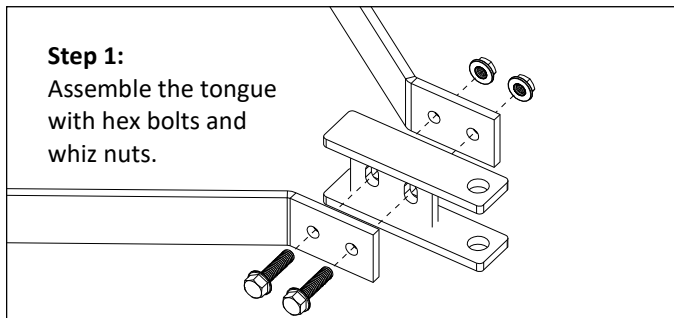
Refer to the exploded view and parts list to help identify the parts and follow instructions below for assembly.

Place main frame on a flat surface, leaving unit “inverted”. This is the best position for the tongue attachment procedure.

Tongue Attachment Instructions:

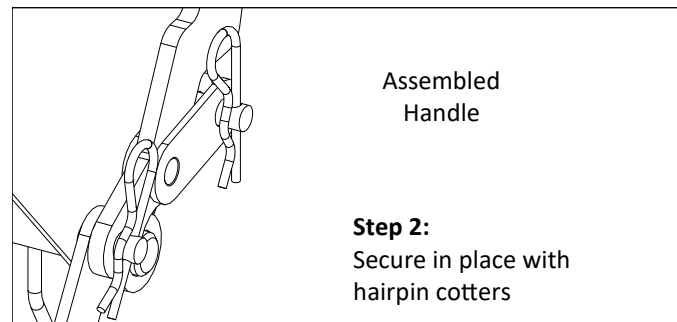
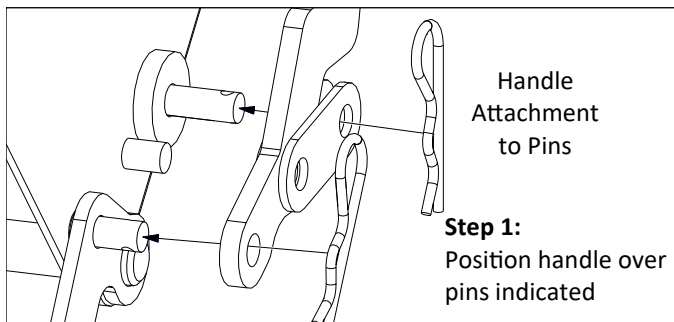
1. The tongue bars will be located under the inverted unit
2. Remove the locknuts, bolts and the clevis hitch from the parts bag
3. Step 1 shows assembly of the tongue bars. Detail A shows complete assembly.
4. Step 2 shows assembly of tongue to the tongue mount uprights.
5. Tongue placement (Detail B) and hardware orientation (Detail C). (Typical both sides)
6. Bolted on tongue assembly shown (Detail D).

2 Easy Steps to Attach Tongue to Unit



2 Easy Steps to Attach Handle to Unit

Handle Attachment Instructions:



Operation

The best season for dethatching is early autumn and late spring. It is ideal since it allows grass sufficient time to recover after the dethatching process has been completed. Dethatching is not recommended during the start of active growth. A moderate to dry lawn condition is recommended when dethatching.

It's highly recommended that once dethatching is completed, the lawn should be watered and fertilized.

Your lawn dethatcher should be attached to your rider or tractor on a level surface and the wheels should be in the lowered position (handle in the locked position).

Once you are ready to use your dethatcher, use a low gear and then disengage the wheels by moving the handle out of the locked position. Once you start moving, the tines will be forced onto the ground. Speed should only be increased only as ground conditions permit.

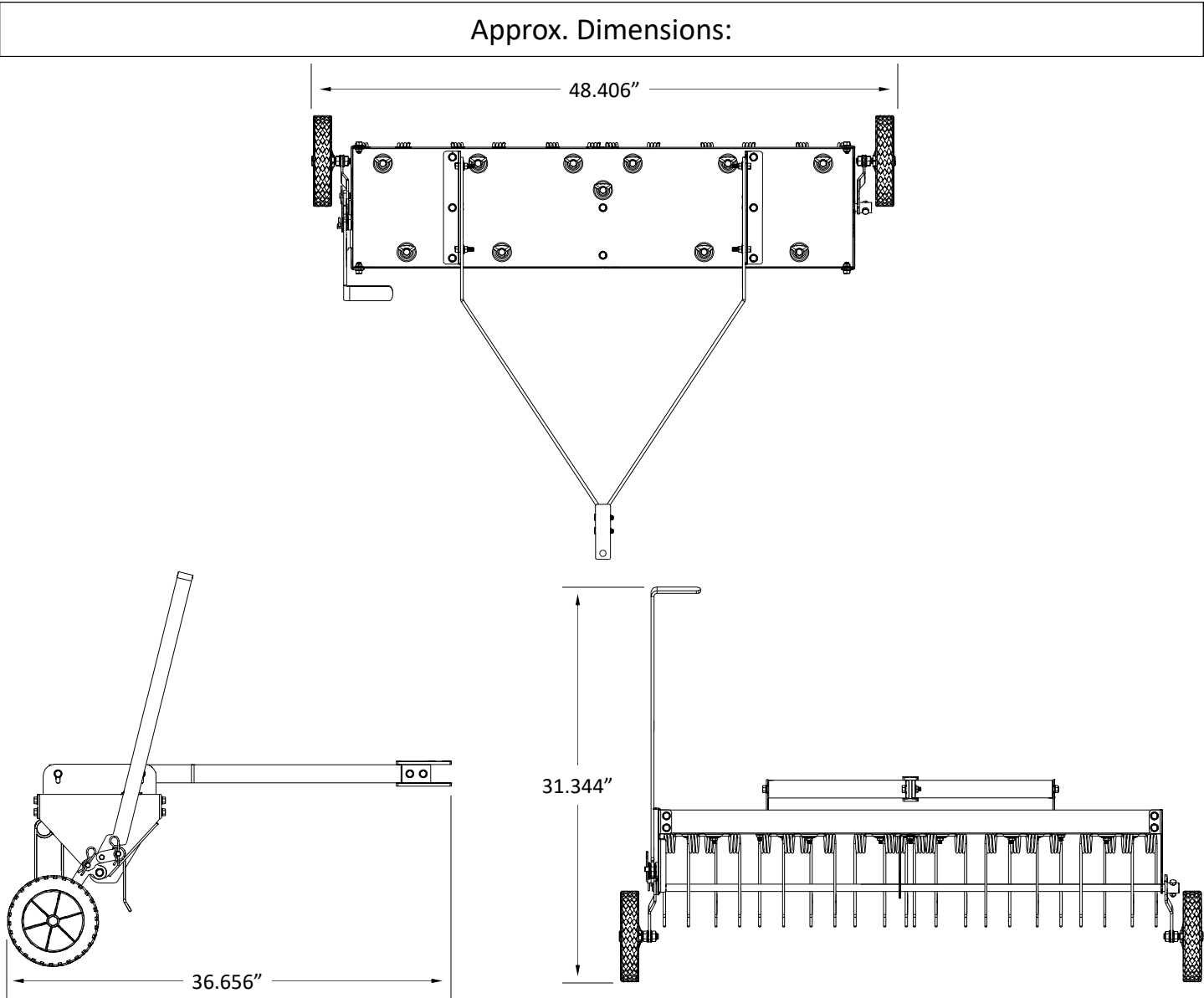
The top tray provides a place for you to put weights. More weight will allow the tines to brush the ground harder. Maximum weight is approximately 150 Lbs.

Do not pull your dethatcher over hard surfaces with the wheels disengaged! This will damage/bend the tines.

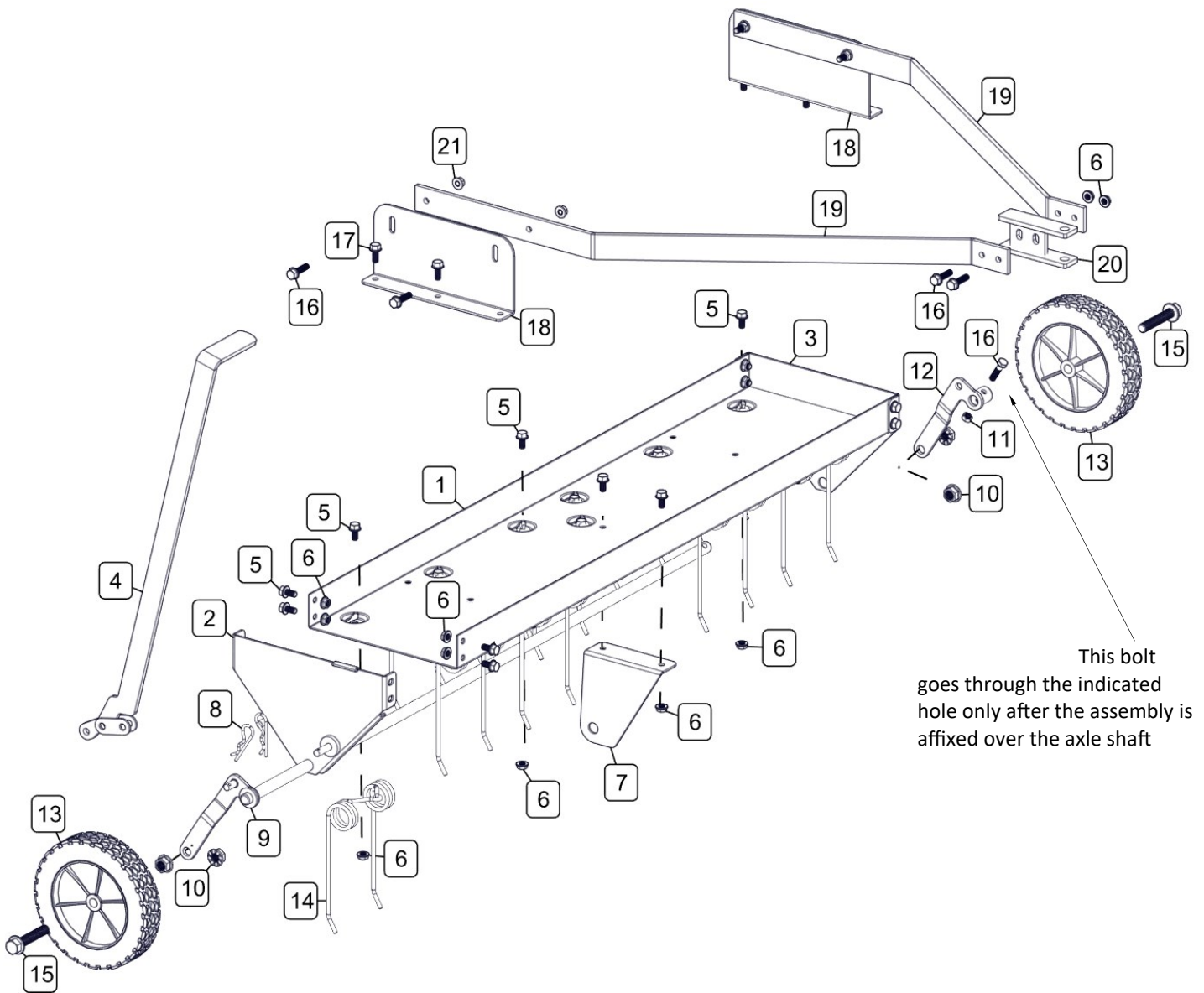
The Dethatcher should be run over the lawn two or three times. Make each pass in the same direction to avoid damage to grass roots.

Proper care and maintenance will prolong the life of your attachment. Keep dethatcher clean and dry. Apply a light coat of oil on tines after each use to prevent rust. Periodically remove debris that builds up between tines.

Store dethatcher with tines facing the wall or ground.



Exploded View/Parts List: DTH-42 (5301491)



This bolt goes through the indicated hole only after the assembly is affixed over the axle shaft

Ref. #	Part #	Description	Qty
1	5017997-BLK	Top Plate	1
2	5275314-BLK	Side Plate Weldment	1
3	5017994-BLK	Side Plate (L.H.)	1
4	5275315-RED	Handle Weldment	1
5	5034634	H.H.C.S. Fling 5/16"-18nc x 5/8"	21
6	5006307	5/16"-18 Hex Whiz (Fling) Locknut	29
7	5017996-BLK	Bearing Plate	1
8	5101065	#211 Hitch Pin Clip	2
9	5275317-BLK	Axle Mount Weldment	1
10	5006337	1/2"-13nc Hex Fling Whiz Nut	4
11	5006035	5/16"-18 Hex Locknut	1

Ref. #	Part #	Description	Qty
12	5275316-BLK	Small Wheel Mount (R.H.)	1
13	5021094	Wheel, 6" x 1.5", 1 1/2" Offset	2
14	5019264	Dethatcher Spring	11
15	5034697	H.H.C.S. Fling 1/2"-13nc x 2 3/4"	2
16	5034076	H.H.C.S. Fling 5/16"-18nc x 1 1/4"	7
17	5117323	H.H.C.S. Fling 5/16"-18nc x 3/4"	6
18	5144051-BLK	Tongue Mount Upright	2
19	5028307-RED	Tongue Bar Half	2
20	5275285-RED	Bolt-On Hitch Weldment	1
21	5006389	5/16"-18nc Hex Fling Toplock Nut	4

Warranty

LIMITED WARRANTY FOR NEW FIMCO, IND. EQUIPMENT

WHO MAY USE THIS LIMITED WARRANTY. This limited warranty (the "Limited Warranty") is provided by Fimco, Ind. to the original purchaser ("you") of the Equipment (as defined below) from Fimco, Ind. or one of Fimco, Ind.'s authorized dealers. This Limited Warranty does not apply to any subsequent owner or other transferee of the Equipment. THIS LIMITED WARRANTY GIVES YOU SPECIFIC LEGAL RIGHTS, AND YOU MAY ALSO HAVE OTHER RIGHTS WHICH VARY FROM STATE TO STATE.

WHAT THIS LIMITED WARRANTY COVERS AND FOR HOW LONG. Fimco, Ind. warrants that any new Equipment will be free from defects in material and workmanship for a period of **one (1) year** (homeowner), **90 days** (commercial user), after delivery of the Equipment to you (the "Warranty Period"). The Warranty Period is not extended if Fimco, Ind. repairs or replaces the Equipment.

WHAT IS NOT COVERED BY THIS LIMITED WARRANTY. This Limited Warranty does not apply to: (1) used Equipment; (2) any Equipment that has been altered, changed, repaired or treated since its delivery to you, other than by Fimco, Ind. or its authorized dealers; (3) damage or depreciation due to normal wear and tear; (4) defects or damage due to failure to follow Fimco, Ind.'s operator's manual, specifications or other written instructions, or improper storage, operation, maintenance, application or installation of parts; (5) defects or damage due to misuse, accident or neglect, "acts of God" or other events beyond Fimco, Ind.'s reasonable control; (6) accessories, attachments, tools or parts that were not manufactured by Fimco, Ind., whether or not sold or operated with the Equipment; or (7) rubber parts, such as tires, hoses and grommets.

HOW TO OBTAIN WARRANTY SERVICE. To obtain warranty service under this Limited Warranty, you must (1) provide written notice to Fimco of the defect during the Warranty Period and within **thirty (30)** days after the defect becomes apparent or the repair becomes necessary, at the following address: Fimco, 1000 Fimco Lane, North Sioux City, SD 57049; and (2) make the Equipment available to Fimco or an authorized dealer within a reasonable period of time. For more information about this Limited Warranty, please call: **800-831-0027**

WHAT REMEDIES ARE AVAILABLE UNDER THIS LIMITED WARRANTY. If the conditions set forth above are fulfilled and the Equipment or any part thereof is found to be defective, Fimco, Ind. shall, at its own cost, and at its option, either repair or replace the defective Equipment or part. Fimco, Ind. will pay for shipping and handling fees to return the repaired or replacement Equipment or part to you.

LIMITATION OF IMPLIED WARRANTIES AND OTHER REMEDIES. THE REMEDIES DESCRIBED ABOVE ARE YOUR SOLE AND EXCLUSIVE REMEDIES, AND FIMCO, IND.'S SOLE LIABILITY, FOR ANY BREACH OF THIS LIMITED WARRANTY. TO THE EXTENT APPLICABLE, ANY IMPLIED WARRANTIES, INCLUDING, WITHOUT LIMITATION, THE IMPLIED WARRANTIES OF MERCHANTABILITY AND FITNESS FOR A PARTICULAR PURPOSE, SHALL BE LIMITED IN DURATION TO THE WARRANTY PERIOD, AND THE REMEDIES AVAILABLE FOR BREACH THEREOF SHALL BE LIMITED TO THE REMEDIES AVAILABLE UNDER THIS EXPRESS LIMITED WARRANTY. SOME STATES DO NOT ALLOW LIMITATIONS ON HOW LONG AN IMPLIED WARRANTY LASTS, SO THE ABOVE LIMITATION MAY NOT APPLY TO YOU. IN NO EVENT SHALL FIMCO, IND.'S LIABILITY UNDER THIS LIMITED WARRANTY EXCEED THE ACTUAL AMOUNT PAID BY YOU FOR THE DEFECTIVE EQUIPMENT, NOR SHALL FIMCO, IND. BE LIABLE, UNDER ANY CIRCUMSTANCES, FOR ANY CONSEQUENTIAL, INCIDENTAL, SPECIAL OR PUNITIVE DAMAGES OR LOSSES, WHETHER DIRECT OR INDIRECT. SOME STATES DO NOT ALLOW THE EXCLUSION OR LIMITATION OF INCIDENTAL OR CONSEQUENTIAL DAMAGES, SO THE ABOVE LIMITATION OR EXCLUSION MAY NOT APPLY TO YOU.