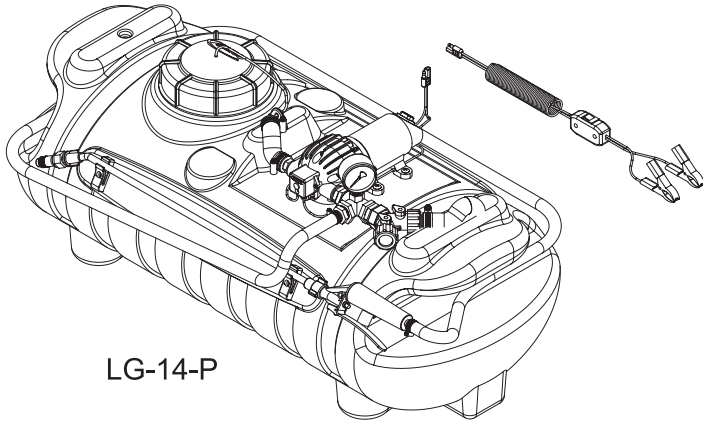


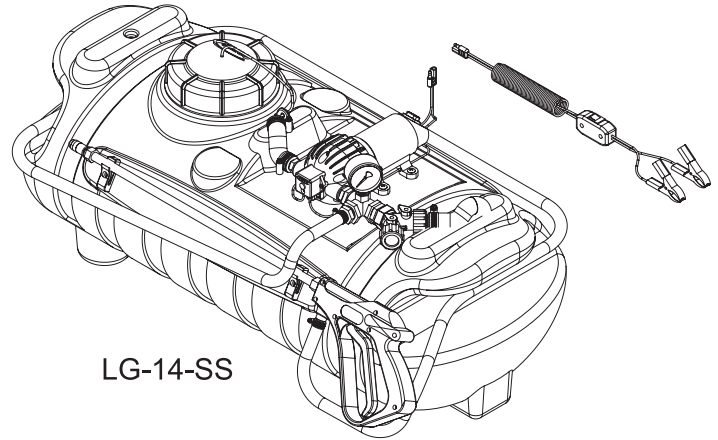
**5301144**  
**MODEL NO. LG-14-P**

**5301145**  
**MODEL NO. LG-14-SS**

**15 Gallon Lawn & Garden Spot Sprayers**  
**Assembly / Operation Instructions / Parts**



LG-14-P



LG-14-SS

**GENERAL INFORMATION**

The purpose of this manual is to assist you in operating and maintaining your lawn and garden sprayer. Please read it carefully as it furnishes information which will help you achieve years of dependable trouble free operation.

**WARRANTY / PARTS / SERVICE**

Products are warranted for one year from date of purchase against manufacturer or workmanship defects.

Your authorized dealer is the best source of replacement parts and service. To obtain prompt, efficient service, always remember to give the following information:

1. Correct part description and part number.
2. Model Number of your sprayer.
3. Serial Number of your sprayer.

Part description and part numbers can be obtained from the illustrated parts list section of this manual.

Whenever you need parts or repair service, contact your distributor / dealer first. For warranty work always take your original sales slip, or other evidence of purchase date, to your distributor / dealer.

**TECHNICAL SPECIFICATIONS**

- Corrosion Resistant Polyethylene Tank.
- 12 Volt Diaphragm Pump.
- Pressure Gauge-Adjustable Pressure Range.
- 15 Foot Handgun Hose.

**CAUTION:** Always check the vehicle load rating before using this sprayer. The loaded weight of the sprayer and boom assembly is about 170 lbs. when the tank is full for a 15 gallon unit and 250 lbs. for a 25 gallon unit.

It is important to test the sprayer with plain water before actual spraying is attempted. This will enable you to check the sprayer for leaks in the plumbing system.

**ASSEMBLY**

The sprayer is assembled at the factory, and the only assembly necessary is to hook up the wiring to an existing 12 volt power source. The red wire of the two wire set must be connected to the positive post on the battery or the "Hot" connection on a switch or to the ammeter. The dark wire may be grounded or connected to the negative battery post.

The pressure gauge is shipped in a parts bag located in the tank. Thread the gauge into the open port of the tee fitting which is located near the pump outlet port. Use thread sealant on the gauge threads.

**OPERATION**

The pump on the sprayer is equipped with a pressure switch that is factory set at a maximum of 60 PSI. Pressure may be decreased by opening the regulating valve. The more it is opened, the lower the pressure will be.



WWW.FIMCOINDUSTRIES.COM

1000 FIMCO LANE • P.O. BOX 1700 • NO. SIOUX CITY, SD 57049  
TOLL FREE: 800-831-0027 • TOLL FREE FAX: 800-494-0440  
Form No. 671 (5004526 5/06) Printed In U.S.A.

The handgun has an adjustable nozzle which allows the spray to be adjusted from a cone shaped fine mist to a straight stream. It is normal for the pump to cycle when spraying with a fine mist spray.

Regularly clean the strainer which is located on the bottom of the intake tube. Remove the strainer from the tube and clean with water.

**WARNING:** Some chemicals will damage the pump valves if allowed to soak untreated for a length of time. Always flush the pump with water after use. Do not allow chemicals to sit in pump for extended times of idleness. Follow the chemical manufactures instructions on disposal of all waste water from the sprayer.

### AFTER SPRAYING

After use fill the sprayer part way with water, start the sprayer and allow clear water to be pumped through the plumbing

system and out through the handgun. Use the handgun on the sprayer to thoroughly wash all internal parts of the tank and tank cover.

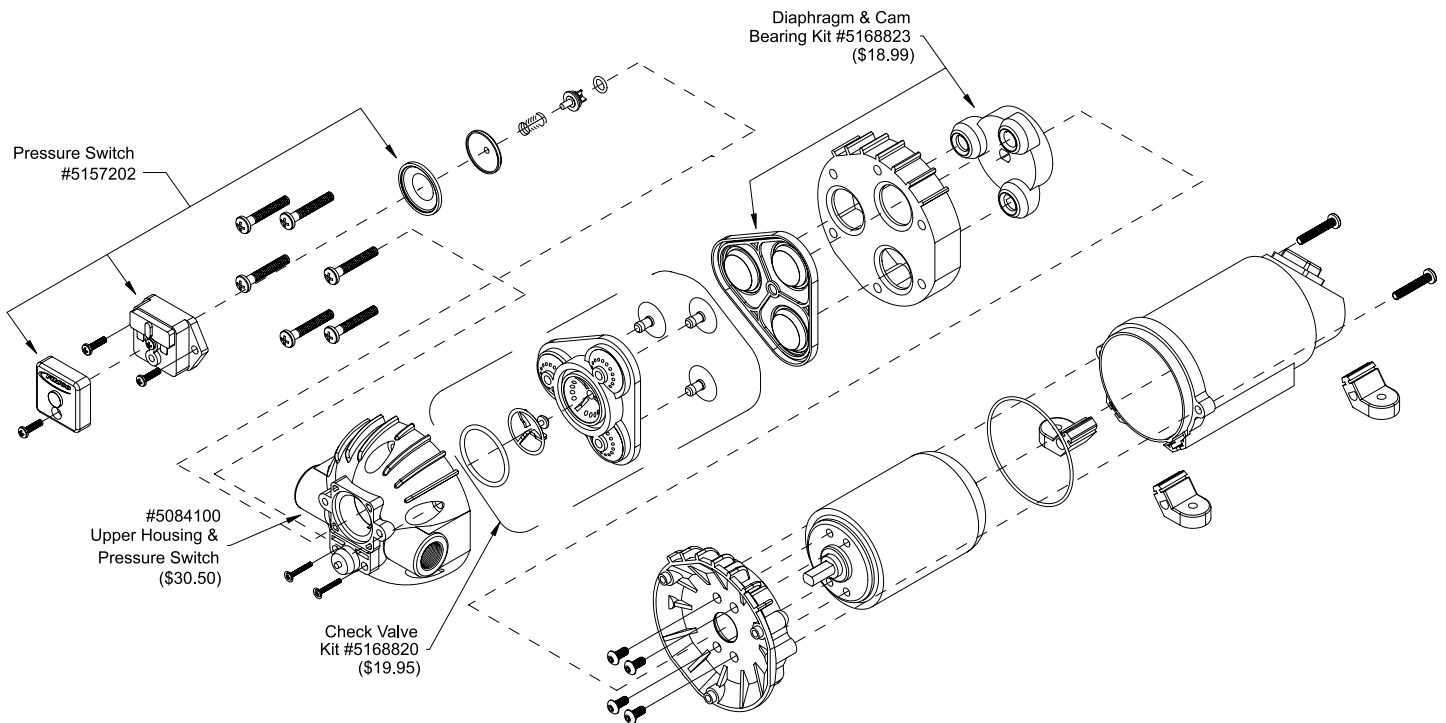
Refill the tank about half full with plain water and use a chemical neutralizer such as Nutra-Sol or equivalent and repeat cleaning instructions above. Flush the entire sprayer with the neutralizing agent. Follow the chemical manufacturers disposal instructions of all wash or rinsing water.

### WINTER STORAGE

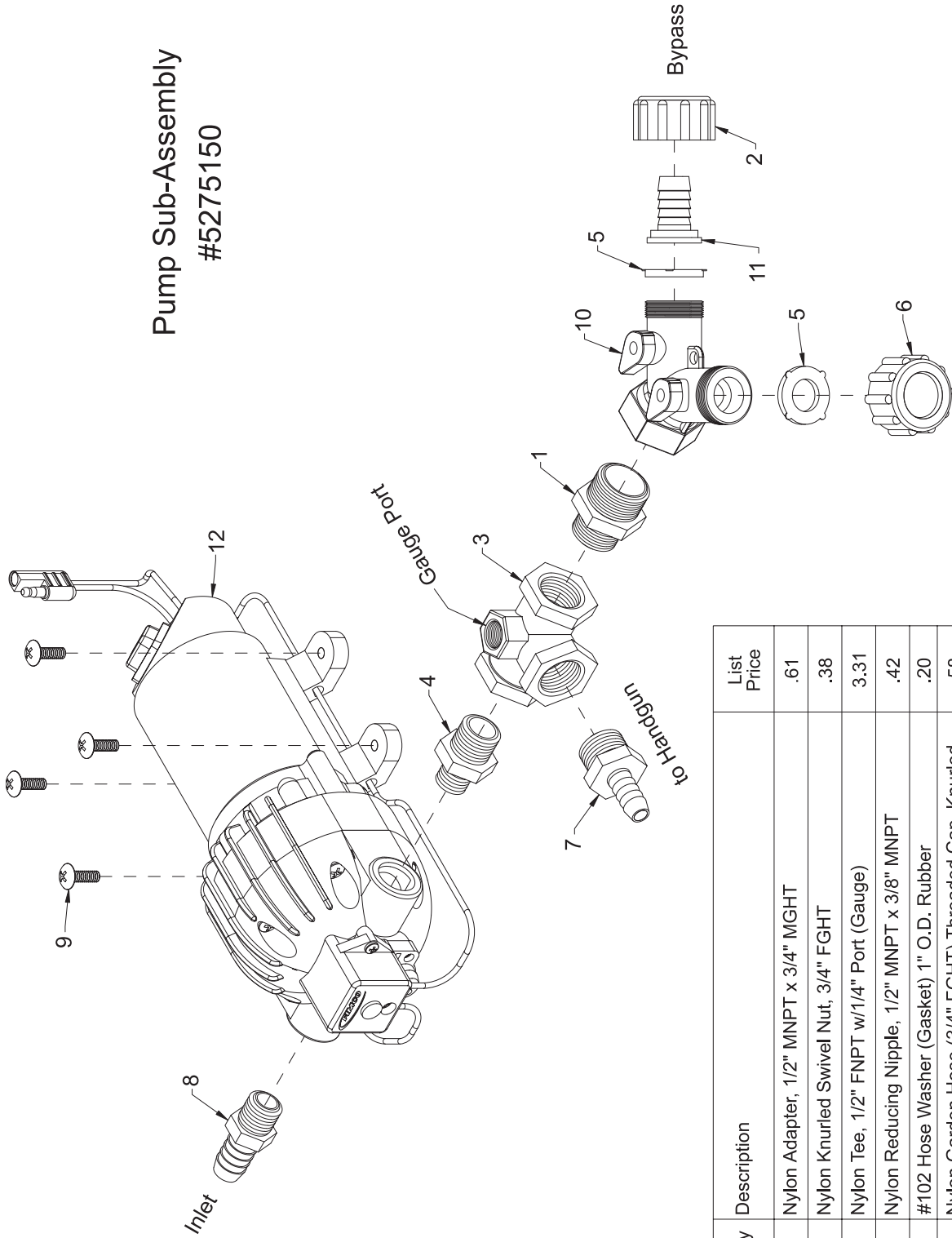
Drain all water out of sprayer paying special attention to pump, valves, and handgun. These items are especially prone to damage from chemicals and freezing weather.

The sprayer should be winterized before storage by pumping a solution of R.V. anti-freeze through the entire plumbing. Proper care and maintenance will prolong the life of the sprayer.

Exploded View of Pump #5275016

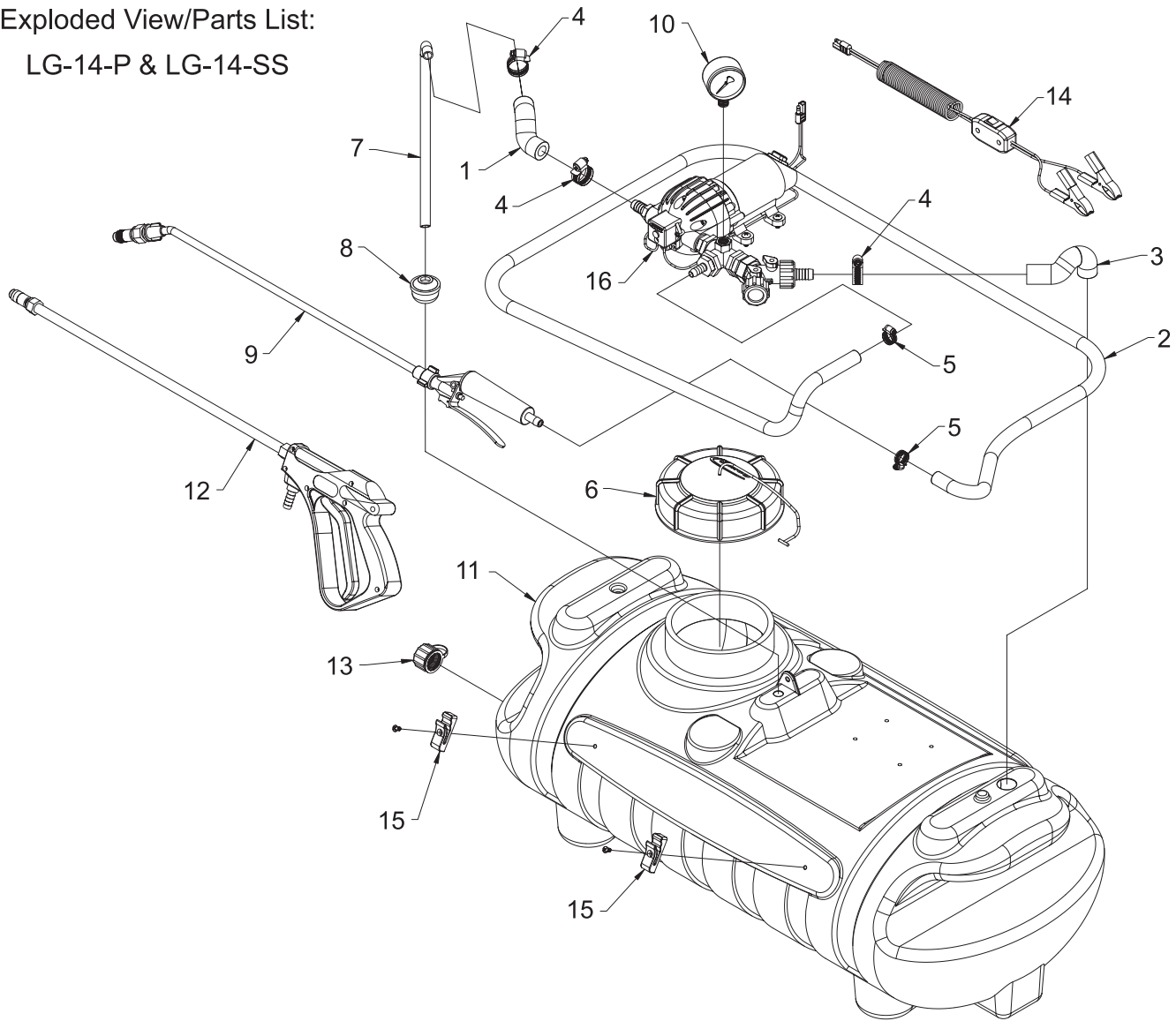


# Pump Sub-Assembly #5275150



Item No.	Part Number	Qty	Description	List Price
1	5005021	1	Nylon Adapter, 1/2" MNPT x 3/4" MGHT	.61
2	5006055	1	Nylon Knurled Swivel Nut, 3/4" FGHT	.38
3	5010193	1	Nylon Tee, 1/2" FNPT w/1/4" Port (Gauge)	3.31
4	5011128	1	Nylon Reducing Nipple, 1/2" MNPT x 3/8" MNPT	.42
5	5016066	2	#102 Hose Washer (Gasket) 1" O.D. Rubber	.20
6	5046132	1	Nylon Garden Hose (3/4" FGHT) Threaded Cap, Knurled	.58
7	5067016	1	Nylon Fitting, 1/2" MNPT x 3/8" HB	.49
8	5067021	1	Nylon Fitting, 3/8" MNPT x 1/2" HB	.45
9	5117167	4	#10-24 x 5/8" Phillips Truss Head Machine Screw	.25
10	5143204	1	#235 Dual Hose Shut-Off "Y"-Valve, 3/4" GHT	4.38
11	5149011	1	Nylon Swivel, 1/2" Flat Seat Hose Barb	.37
12	5275016	1	Triplex Pump, 12V-DC, 2.1 G.P.M.	112.00

Exploded View/Parts List:  
 LG-14-P & LG-14-SS



Item No.	Part Number	LG-14-P/Qty	LG-14-SS/Qty	Description	List Price
1	5020060	1	1	Hose, 1/2"-1 Brd. x 2 3/4"	.64
2	5020215	1	1	Hose, 3/8"-1 Brd. x 15 Ft.	8.50
3	5020241	1	1	Hose, 1/2"-1 Brd. x 6"	1.51
4	5051022	3	3	Hose Clamp, 1/2"	.62
5	5051114	2	2	Hose Clamp, 3/8"	.63
6	5058183	1	1	FIMCO 5" Threaded Tank Lid w/Lanyard	10.50
7	5100274	1	1	Intake Tube (15 Gallon)	1.40
8	5116251	1	1	Strainer, Suction Line	1.99
9	5163100	1	-	Low Flow Handgun w/X-26 Adjustable Tip, 29 1/2" Wand	9.95
10	5167007	1	1	Gauge, 0-100 p.s.i.	5.99
11	5169202	1	1	15 Gallon Blow-Molded Tank (White) w/(2) Holes	54.95
12	5273959	-	1	Handgun w/X-26 Tip	36.00
13	5274373	1	1	Drain Plug Cap, Tether, and Washer Assembly	2.95
14	5274443	1	1	Lead Wire Assembly (w/Switch), 96"	13.50
15	5274880	1	1	Pkg. (2) Handgun Clips & (2) Screws	2.85
16	5275150	1	1	Pump Sub-Assembly	---