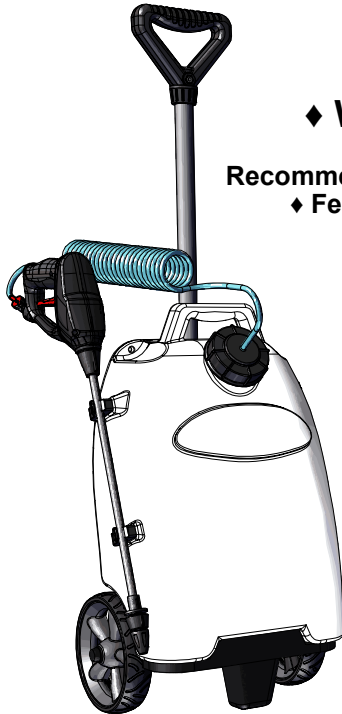


# OWNER'S MANUAL

**Model: LWN-GRD-4 (5303079)**

(4 Gallon, 3.6 V, Mobile Sprayer)



◆ Wheel It ◆ Carry It ◆ Pack It

Recommended for:

- ◆ Fertilizers
- ◆ Herbicides
- ◆ Pesticides
- ◆ Fungicides

## General Information

Thank you for purchasing this product. The purpose of this manual is to assist you in operating and maintaining your lawn & garden spot sprayer.

**BEFORE RETURNING THIS PRODUCT  
FOR ANY REASON, PLEASE CALL**

**1-800-831-0027**

MONDAY-FRIDAY, 8:00 AM TO 5:00 PM CST

If you should have a question or experience a problem with your Fimco Industries Product: Visit our website @ [www.fimcoindustries.com](http://www.fimcoindustries.com) or call the Toll free number above. Our technical support representatives will be happy to help you. In most cases a customer service rep. can resolve the problem over the phone.

To obtain prompt, efficient service, always remember to give the following information....

- Correct Part Description and/or part number
- Model number and Serial Number

Part descriptions and numbers can be obtained from the illustrated parts list section(s) of this manual.

**Retain a copy of your receipt for your unit,  
as it will be required to validate any warranty service.**

**Warranted against manufacturer or workmanship defects from  
date of purchase with copy of receipt:**

**Homeowner Usage: One Year.**

**Commercial Usage: 90 Days.**



**WARNING:** Cancer and Reproductive Harm.  
[www.P65Warnings.ca.gov](http://www.P65Warnings.ca.gov)



**WARNING:** To reduce the risk of injury, the user must read and understand the operator's manual before using this product.

STOP

**WARNING**

STOP

**DO NOT USE PUMP IN AN EXPLOSIVE ENVIRONMENT.  
DO NOT USE TO PUMP FLAMMABLE/COMBUSTIBLE  
FLUIDS, GASOLINE, KEROSENE, FUEL, OIL, ETC.**



[www.fimcoindustries.com](http://www.fimcoindustries.com)

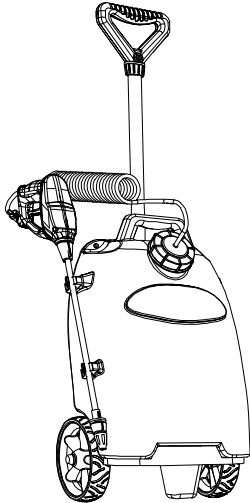
1000 FIMCO Lane, P.O. Box 1700, North Sioux City, SD 57049  
Toll Free Phone: 800-831-0027 : Toll Free Fax: 800-494-0440

(5195291

(10/22))

## Contents

Technical Specs .....	2	Nozzle Options and Wand Replacement.....	6
Sprayer Assembly and Conversion Instructions .....	3 - 4	Sprayer Exploded View/Parts List .....	7
Operation, Maintenance and Tank Care .....	4 - 5	Sprayer Dimensions .....	8
Winter Storage and Battery Charging .....	6	Warranty .....	8



## Model: LWN-GRD-4 (5303079) (4 Gallon, 3.6 V, Mobile Sprayer)

### Technical Specifications

- 4 Gallon Corrosion-Resistant Polyethylene Tank
- Rechargeable Handgun
- Check Valve w/O-Ring to prevent drips, 3 PSI
- Capacity: 13 Gallons per charge/65 Minute Run Time
- 2.5 Hours Recharge Time
- Approx. Spray Distance - Vertical: 10', Horizontal: 20'
- Removable base for handheld spraying
- Ergonomic Back Pack Straps for back pack spraying
- 6-3/4" Wheels with high ground clearance
- **Unit height with base = 39"**
- **Tank height without base = 19"**

**Caution: Always check the vehicle load rating before using the sprayer.**  
**The loaded weight of this sprayer is approx.: 50 lbs. when the tank is full.**

### ~~~~~IMPORTANT~~~~~

Remove tank lid and be sure the tank is clean and free of any foreign material. Rinse tank out of any tank residue before filling with water to test.

### ~~~~~IMPORTANT~~~~~

It is VERY important to test this sprayer with plain water before actual spraying is attempted. This will enable you to check the sprayer for leaks without the possibility of losing any expensive chemicals.

### ~~~~~WARNING~~~~~



**Read and Understand the Owner's Manual** before using this sprayer. Test and use in accordance to instructions.  
**Read and Follow** chemical label instructions and wear protective gear when filling, using, cleaning and servicing the sprayer.

**Exercise Caution** in vehicle handling when towing/hauling a filled sprayer to avoid loss of control or overturning.

**Keep Sprayer and Spray materials** away from other people, children and pets.

**Do Not Turn on Power** to the sprayer, until ready to spray in order to avoid unintentional spray release.

**Do Not Use** on steep slopes. A full sprayer could cause loss of control or overturn sprayer and vehicle.

**Always operate** up and down a slope, never across the face of a slope.

**Keep all movement on slopes** slow and gradual. Do not make sudden changes in speed, directions or turning. Do not start or stop suddenly when going uphill or downhill.

**Stop on level ground**, set the parking brake and shut off engine before leaving the operator's position for any reason.

**Keep all parts** in good condition and properly installed. Fix damaged or worn parts immediately.

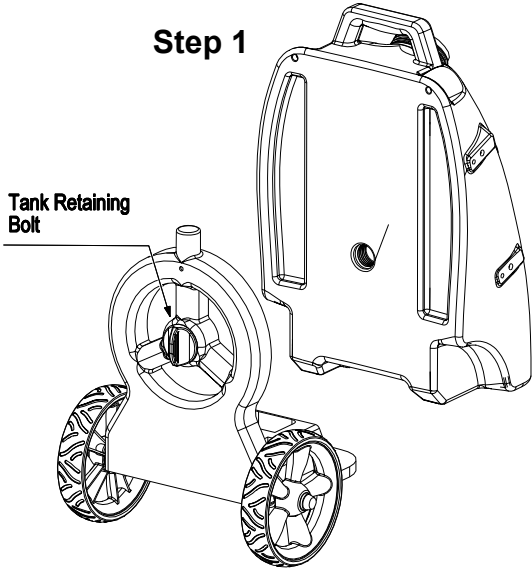
**Caution should be taken** when towing and/or using any sprayer. This sprayer combined with the weight distribution, turning radius and speed of vehicle can result in damage to vehicle and/or sprayer or severe injury or death, if not used properly.

**Improper use of this sprayer or handling of chemicals could result in serious injury or illness, or could cause damage to the environment.**

# Assembly Instructions

Follow the assembly instructions on page 3 and conversion instructions on page 4 to fully assemble the sprayer.

## Step 1

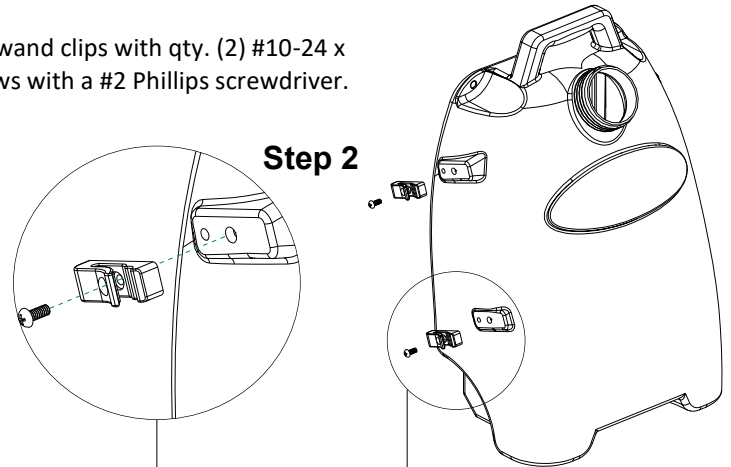


### Step 1

Unscrew Tank Retaining Bolt from tank, do not remove from black base. Remove tank from base.

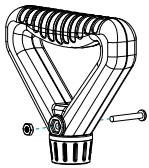
### Step 2

Install qty. (2) wand clips with qty. (2) #10-24 x 1/2" long screws with a #2 Phillips screwdriver.



## Step 2

## Step 3



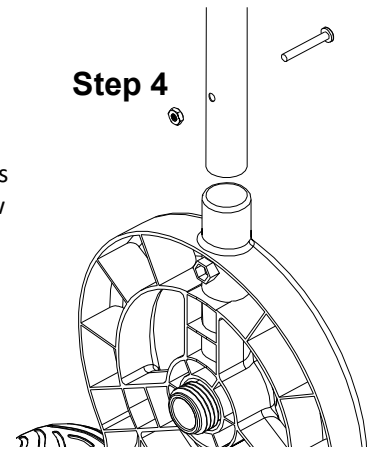
### Step 3

Push handle onto handle tube and align holes. Insert qty. (1) #10-24 hex nut into hex recess in handle. Insert qty. (1) #10-24 x 1-3/8" screw through the handle and tube. Tighten with #2 Phillips screwdriver.

### Step 4

Push handle tube into base and align holes. Insert qty. (1) #10-24 hex nut into hex recess in base. Insert qty. (1) #10-24 x 1-3/8" screw through handle tube and base. Tighten with #2 Phillips screwdriver.

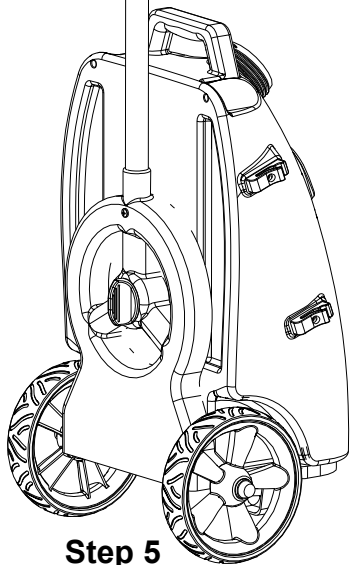
## Step 4



### Step 5

Replace tank on base and secure in place with the Tank Retaining Bolt.

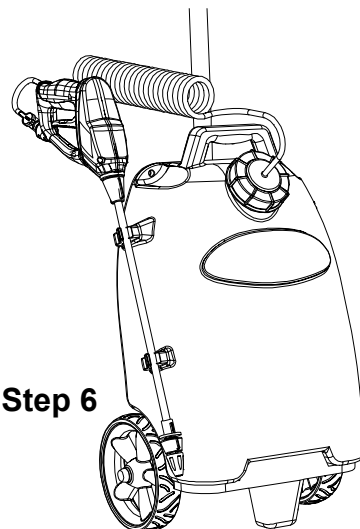
## Step 5



### Step 6

All that is left to complete assembly of your sprayer is to attach the coiled hose assembly and handgun assembly to the unit.

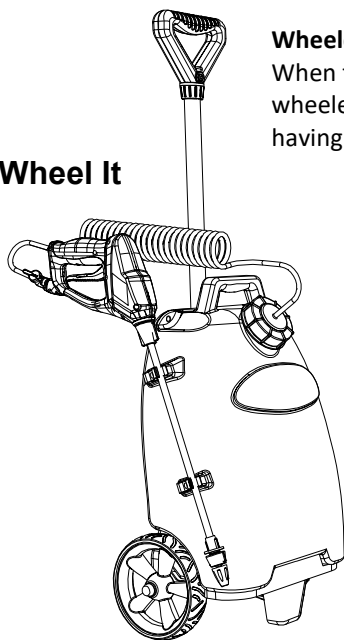
## Step 6



**\*\*The Sprayer is now ready to TEST w/plain water before actual use\*\***

## Sprayer Conversions

### Wheel It



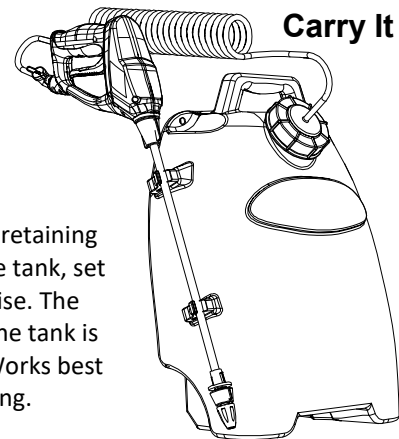
#### Wheeled Dolly Sprayer

When the tank is attached to the base, the unit is ready to spray as a wheeled Dolly Sprayer. The tank easily pulls behind you without having to carry the weight. Works best with finished lawns.

#### Handheld Sprayer

To convert the sprayer to a Handheld Sprayer, turn the tank retaining bolt counter clockwise until the tank is loose. To reattach the tank, set the tank on the base and turn the tank retaining bolt clockwise. The tank retaining bolt will remain attached to the base. When the tank is removed from the base, the tank is easily carried by hand. Works best for light spraying on uneven ground or in between landscaping.

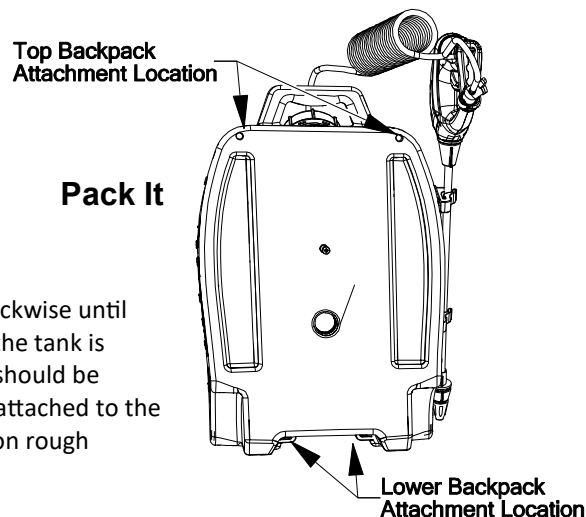
### Carry It



#### Backpack Sprayer

To convert sprayer to a Backpack Sprayer, turn tank retaining bolt counter clockwise until the tank is loose. Tank retaining bolt will remain attached to the base. When the tank is removed from the base, the backpack straps can be attached. The upper clip should be attached to the Top Backpack Attachment Location. The lower clip should be attached to the Lower Backpack Attachment Location. Works best for long distance spraying on rough terrain or steep inclines.

### Pack It



- Clean and rinse your pump after each use (See After Spraying)
- Winterize your pump or sprayer by rinsing, draining and running RV Antifreeze through it before storing for the winter.
- Use clean water for your spray mixture.
- Store inside a building when not in use.



- Use to pump bleach.
- Use to pump petroleum products such as diesel fuel, gasoline or kerosene.
- Use to pump chemicals w/petroleum distillates or surfactants.
- Leave your pump sit with spray mixture in it for extended periods.
- Use dirty or unfiltered water for spraying.

## Operation

**IMPORTANT:** Remove tank lid and be sure the tank is clean and free of any foreign material. Rinse tank out of any tank residue before filling with water to test.

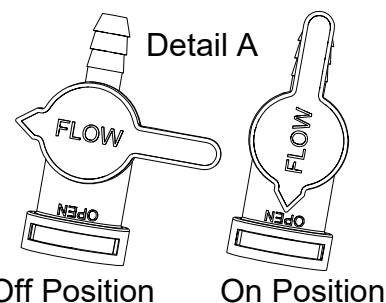
#### NOTE:

It is VERY important to test this sprayer with plain water before actual spraying is attempted.

Fill the tank about 1/2 full with plain water.

Be sure gun is fully charged (see handgun charging) and the shutoff is open (Detail A). Squeeze trigger and allow 20 seconds for the fluid to reach the handgun and begin spraying.

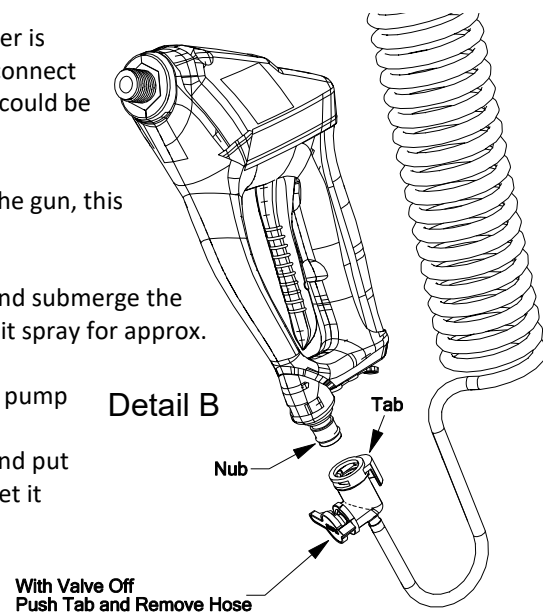
If the fluid does not reach the handgun and drains out of the hose when the trigger is released, the hose is not connected to the handgun correctly. Disconnect and reconnect the quick connect shut off and begin priming again. If it still doesn't pull liquid, it could be pulling in air (check all fittings) or the shutoff is bad and needs to be replaced.



If the fluid does not reach the handgun and drains out of the hose when the trigger is released, the hose is not connected to the handgun correctly. Disconnect and reconnect the quick connect shut off and begin priming again. If it still doesn't pull liquid, it could be pulling in air (check all fittings) or the shutoff is bad and needs to be replaced.

If the fluid does not reach the handgun and stays in the coiled hose, try priming the gun, this can be done one of three ways:

- 1) Disconnect the hose and shutoff from the bottom of the gun (See Detail B) and submerge the nub on the bottom of the gun into a bucket of water, pull the trigger and let it spray for approx. 1-2 minutes. Reconnect hose and shutoff to the gun.
- 2) Lower the handgun below water level, and pull the trigger this will allow the pump to prime.
- 3) Disconnect the hose and shutoff from the bottom of the gun (See Detail B) and put a garden hose up to the nub, basically feeding the gun, pull the trigger and let it spray for approx. 1-2 minutes. Reconnect hose and shutoff to the gun.



### Operation

Fill the tank 1/2 full with water first and then add the chemical slowly, mixing as you pour the chemical into the tank and then fill the rest of the way. You may use the handgun to spray into the solution in order to mix the chemical and water.

**Only fill the tank with what you're going to spray in a day, never leave chemicals sit in tank.**

After spraying, rinse and clean the equipment both inside and out. Flush the pumping system with water.

**Be sure to read the chemical label(s) before application!**

### Tank Care & Maintenance

**Warning:** Do not use the tank as a container for fuel oils, kerosene, gasoline or any other petroleum distillate product. All polyolefins are softened and permeated by such products. In an enclosed area the vaporization of these materials from the outside surface of the tank could create a dangerous condition.

The tank should not be used as a pressure vessel nor used with chemicals or solutions having a weight of more than 12 pounds per gallon.

Store the tank in a dry dark place when not in use. Storage out of sunlight will prolong the life of the tank.

Do not drop, strike or kick the tank, especially at low temperatures. Tanks become brittle and are subject to cracking at temperatures below 20° Fahrenheit.

Always flush the tank with water and a neutralizing agent at the end of each use, to prevent contamination of solutions.

### Maintenance/After Spraying

Proper care and maintenance will prolong the life of your sprayer.

Periodically check the strainer and clean the screen on your intake line. If sprayer becomes clogged during use, discontinue use immediately. DO NOT attempt to service while chemicals are in the sprayer.

After use, drain the tank and store or dispose of chemical properly.

Fill the sprayer tank part way with clean water. Start the sprayer and allow the clear water to be pumped through the plumbing system and out through the spray nozzle. Refill the tank about half full with plain water and use FIMCO Tank Neutralizer and Cleaner and repeat cleaning instructions above. Flush the entire sprayer with the neutralizing/cleaning agent (if no tank cleaner is available, you may substitute dish soap for this step, about 1-2 oz. per gallon). But a neutralizer/cleaner should be used to thoroughly clean the system. Start the sprayer and spray through the system for approx. 15 minutes. Refill part way with clean water and flush out one more time. Follow the chemical manufacturer's disposal instructions of all wash or rinsing water. If nozzle needs cleaning, remove from wand and soak in warm, soapy water. Clean with a soft bristled brush if necessary.

Never use a metal object. Water rinse and dry the tip before storing.

**WARNING:** Some chemicals will damage the plumbing components if allowed to soak untreated for a length of time! ALWAYS flush the system as instructed after each use. DO NOT allow chemicals to sit in the pump for extended times of idleness. Follow the chemical manufacturer's instructions on disposal of all waste water from the sprayer.

### Winter Storage

Before storing your sprayer for winter or long term storage, thoroughly clean and drain it as much as possible. Then pour enough pink RV antifreeze into the tank so that when the pump is turned on, you can pump the antifreeze throughout the entire plumbing system. Make sure to operate the handgun until you see pink fluid spraying from the nozzle. Leave any remaining antifreeze in the tank.

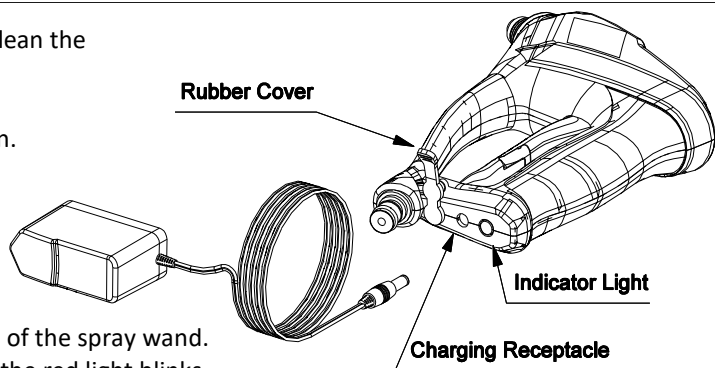
*Note: RV antifreeze is non-toxic and biodegradable, generally safer for the environment than automotive antifreeze.*

It is nearly impossible to drain all of the water from the sprayer and any trapped water can freeze in cold weather and damage parts of the sprayer. Pumping the antifreeze through the system will displace the water and help prevent this damage.

Removing from storage: drain the antifreeze. Fill the tank with fresh water and run through the system. Dispose of antifreeze and flush water properly.

## Handgun Charging

1. Follow the 'After Spraying & Winter Storage' instructions to clean the tank and handgun plumbing.
2. Turn Shut Off Valve to the Off position.
3. Disconnect hose from handgun by pressing the release button.
4. Pump remaining clean water out of handgun.
5. Lightly pull and rotate the rubber cover, revealing the charging jack and charging indicator light. This is located at the base of the handgun.
6. Plug the charger into a 110 Volt AC electrical receptacle.
7. Insert the male charging plug into the female jack at the base of the spray wand. The light will turn solid red, indicating charging has begun. If the red light blinks, verify the output voltage of the charger is 4.8V @ 1.3A by reading the charger decal. If the charger is the correct voltage, continue charging and it will become solid red within 10 minutes. If the light continues to blink, the charger is the incorrect voltage and should be disconnected.
8. The light will turn green when charging is complete. Then disconnect the plug from the handgun and the charger from the electrical receptacle when the charging operation is complete.
9. Rotate and re-plug in the rubber cover over the charging jack. This will prevent dirt and dust from getting inside the receptacle.

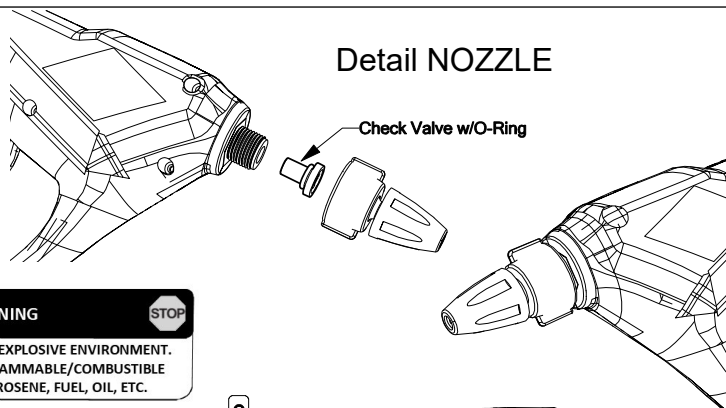


**NOTE: Handgun will not run when still plugged in.**

## Nozzle Options & Wand Replacement Parts

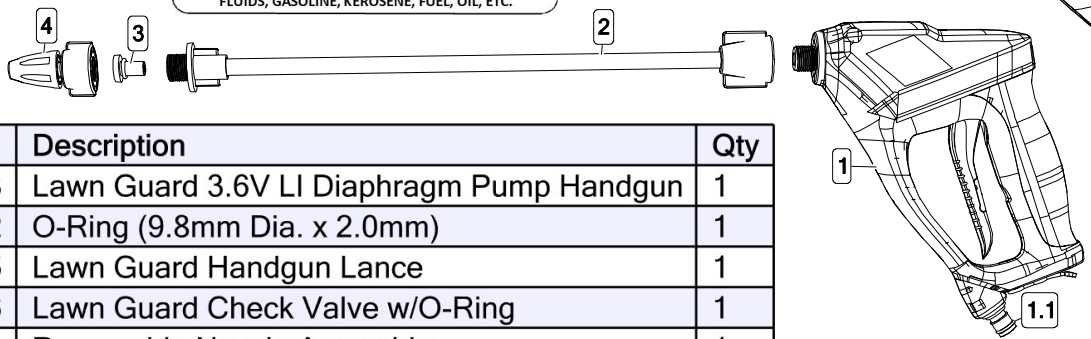
The Removable Nozzle Assembly can be installed on the Removable Wand to spray closer to the desired location. The Removable Nozzle Assembly can be installed directly on the handgun for more compact spraying (See Detail NOZZLE).

Slide O-Ring on to the Check Valve. Check valve can now be installed at gun outlet or lance outlet - fits just before the nozzle in either configuration (with or without lance installed).

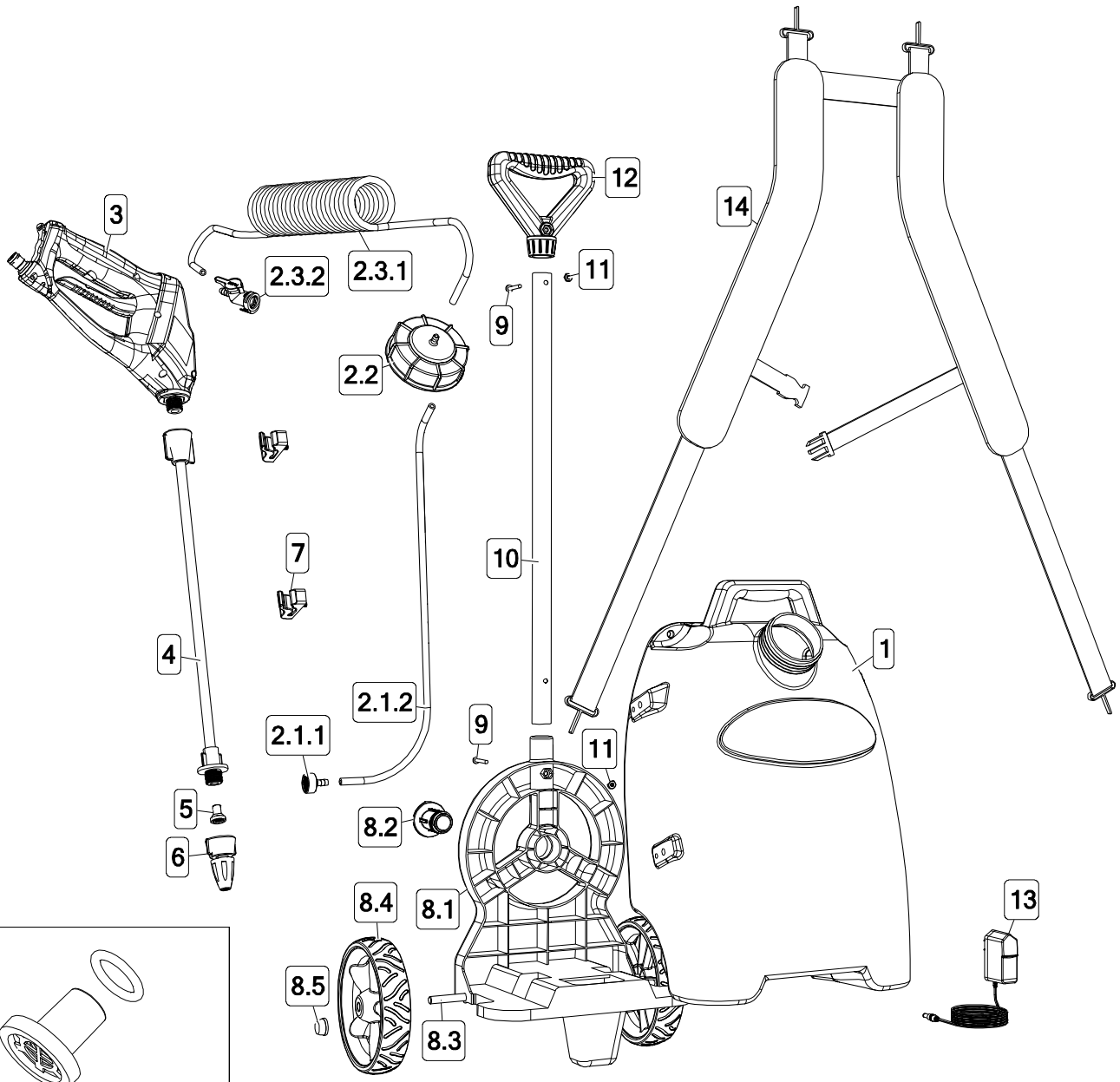


**STOP**      **WARNING**      **STOP**

DO NOT USE PUMP IN AN EXPLOSIVE ENVIRONMENT.  
DO NOT USE TO PUMP FLAMMABLE/COMBUSTIBLE  
FLUIDS, GASOLINE, KEROSENE, FUEL, OIL, ETC.



Ref. #	Part #	Description	Qty
1	5163153	Lawn Guard 3.6V LI Diaphragm Pump Handgun	1
1.1	5072532	O-Ring (9.8mm Dia. x 2.0mm)	1
2	5100965	Lawn Guard Handgun Lance	1
3	5143546	Lawn Guard Check Valve w/O-Ring	1
4	5278244	Removable Nozzle Assembly	1



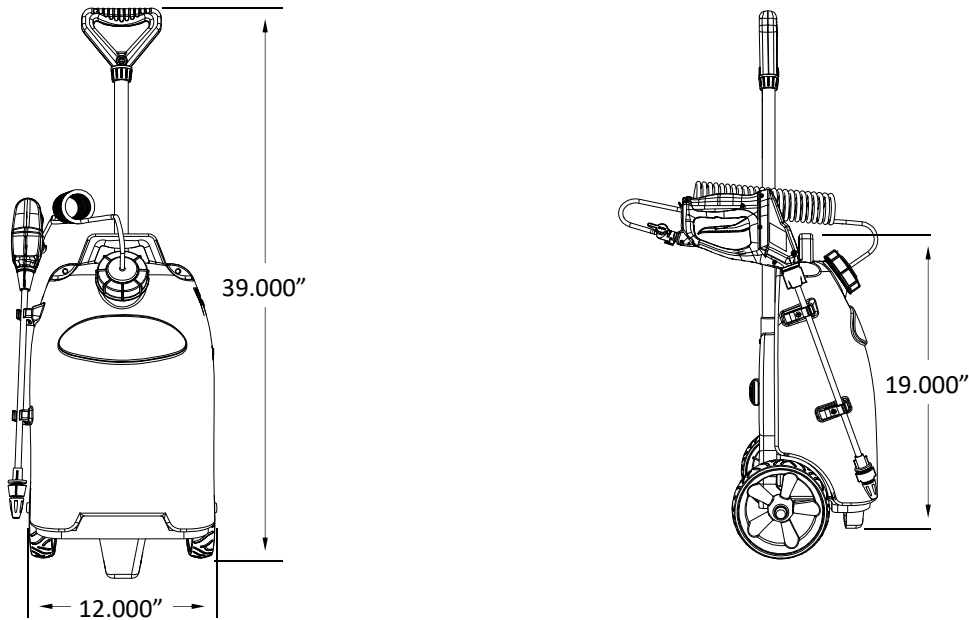
Slide O-Ring on to the Check Valve. Check valve can now be installed.

### Exploded View/Parts List: LWN-GRD-4 (5303079)

Ref. #	Part #	Description	Qty
1	5169322	4 Gallon Mobile Tank	1
2	5281532	Lawn Guard Hose Assembly w/Lid	1
2.1	5278236	Pick Up Hose Assembly	1
2.1.1	5116449	Strainer Weight	1
2.1.2	5020560	Pick Up Hose	1
2.2	5046443	3" Hose Barb Lid	1
2.3	5281531	Coiled Hose Assembly	1
2.3.1	5020559	Coiled Handgun Hose	1
2.3.2	5143545	Quick-Connect Shut-Off Valve	1
3	5163153	3.6V LI Diaphragm Pump Handgun	1
3.1	5072532	O-Ring (9.8mm Dia. x 2.0mm)	1
4	5100965	Lawn Guard Handgun Lance	1
5	5143546	Lawn Guard Check Valve w/O-Ring	1
6	5278244	Removable Nozzle Assembly	1

Ref. #	Part #	Description	Qty
7	5274880	Wand Clips & Screws (Pkg/2)	1
8	5278232	4 Gallon Base Assembly	1
8.1	5029102	4 Gallon Base (Injection Mold)	1
8.2	5034790	Tank Retaining Bolt	1
8.3	5024134	Axle 3/8" x 13-3/16"	1
8.4	5021126	6.75" Wheel, 3/8" Axle	2
8.5	5046442	Plastic Axle Cap	2
9	5117335	#10-24 x 1-3/8" PH Truss Head Screw	2
10	5100818	Handle Tube	1
11	5006186	#10-24 H13/64 Hex Fling Locknut	2
12	5078220	Handle	1
13	5157239	3.6V Charger	1
14	5051150	Back Pack Straps	1

## Approx. Dimensions



## Warranty Info

### LIMITED WARRANTY FOR NEW FIMCO, IND. EQUIPMENT

**WHO MAY USE THIS LIMITED WARRANTY.** This limited warranty (the "Limited Warranty") is provided by Fimco, Ind. to the original purchaser ("you") of the Equipment (as defined below) from Fimco, Ind. or one of Fimco, Ind.'s authorized dealers. This Limited Warranty does not apply to any subsequent owner or other transferee of the Equipment. THIS LIMITED WARRANTY GIVES YOU SPECIFIC LEGAL RIGHTS, AND YOU MAY ALSO HAVE OTHER RIGHTS WHICH VARY FROM STATE TO STATE.

**WHAT THIS LIMITED WARRANTY COVERS AND FOR HOW LONG.** Fimco, Ind. warrants that any new Equipment will be free from defects in material and workmanship for a period of **one (1) year** (homeowner), **90 days** (commercial user), after delivery of the Equipment to you (the "Warranty Period"). The Warranty Period is not extended if Fimco, Ind. repairs or replaces the Equipment.

**WHAT IS NOT COVERED BY THIS LIMITED WARRANTY.** This Limited Warranty does not apply to: (1) used Equipment; (2) any Equipment that has been altered, changed, repaired or treated since its delivery to you, other than by Fimco, Ind. or its authorized dealers; (3) damage or depreciation due to normal wear and tear; (4) defects or damage due to failure to follow Fimco, Ind.'s operator's manual, specifications or other written instructions, or improper storage, operation, maintenance, application or installation of parts; (5) defects or damage due to misuse, accident or neglect, "acts of God" or other events beyond Fimco, Ind.'s reasonable control; (6) accessories, attachments, tools or parts that were not manufactured by Fimco, Ind., whether or not sold or operated with the Equipment; or (7) rubber parts, such as tires, hoses and grommets.

**HOW TO OBTAIN WARRANTY SERVICE.** To obtain warranty service under this Limited Warranty, you must (1) provide written notice to Fimco, Ind. of the defect during the Warranty Period and within **thirty (30) days** after the defect becomes apparent or the repair becomes necessary, at the following address: Fimco, Ind., 1000 Fimco Lane, North Sioux City, SD 57049; and (2) make the Equipment available to Fimco, Ind. or an authorized dealer within a reasonable period of time. For more information about this Limited Warranty, please call: **800-831-0027**.

**WHAT REMEDIES ARE AVAILABLE UNDER THIS LIMITED WARRANTY.** If the conditions set forth above are fulfilled and the Equipment or any part thereof is found to be defective, Fimco, Ind. shall, at its own cost, and at its option, either repair or replace the defective Equipment or part. Fimco, Ind. will pay for shipping and handling fees to return the repaired or replacement Equipment or part to you.

**LIMITATION OF IMPLIED WARRANTIES AND OTHER REMEDIES.** THE REMEDIES DESCRIBED ABOVE ARE YOUR SOLE AND EXCLUSIVE REMEDIES, AND FIMCO, IND.'S SOLE LIABILITY, FOR ANY BREACH OF THIS LIMITED WARRANTY. TO THE EXTENT APPLICABLE, ANY IMPLIED WARRANTIES, INCLUDING, WITHOUT LIMITATION, THE IMPLIED WARRANTIES OF MERCHANTABILITY AND FITNESS FOR A PARTICULAR PURPOSE, SHALL BE LIMITED IN DURATION TO THE WARRANTY PERIOD, AND THE REMEDIES AVAILABLE FOR BREACH THEREOF SHALL BE LIMITED TO THE REMEDIES AVAILABLE UNDER THIS EXPRESS LIMITED WARRANTY. SOME STATES DO NOT ALLOW LIMITATIONS ON HOW LONG AN IMPLIED WARRANTY LASTS, SO THE ABOVE LIMITATION MAY NOT APPLY TO YOU. IN NO EVENT SHALL FIMCO, IND.'S LIABILITY UNDER THIS LIMITED WARRANTY EXCEED THE ACTUAL AMOUNT PAID BY YOU FOR THE DEFECTIVE EQUIPMENT, NOR SHALL FIMCO, IND. BE LIABLE, UNDER ANY CIRCUMSTANCES, FOR ANY CONSEQUENTIAL, INCIDENTAL, SPECIAL OR PUNITIVE DAMAGES OR LOSSES, WHETHER DIRECT OR INDIRECT. SOME STATES DO NOT ALLOW THE EXCLUSION OR LIMITATION OF INCIDENTAL OR CONSEQUENTIAL DAMAGES, SO THE ABOVE LIMITATION OR EXCLUSION MAY NOT APPLY TO YOU.